

**SA1.1xxx / SA2.1xxx**  
ON/OFF and Floating Actuators - Speed Version

**Application**

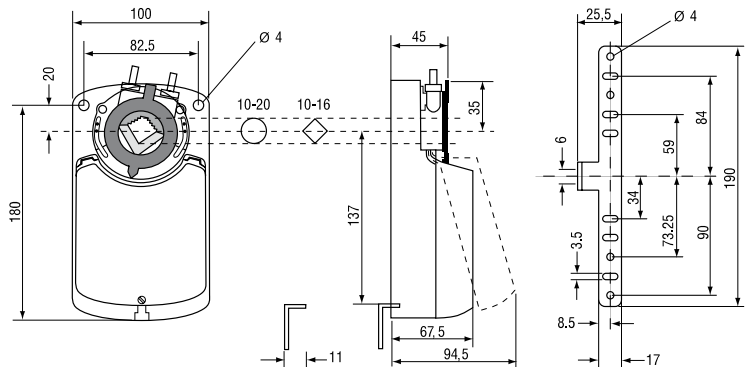
The **JOVENTA SPECIAL** electric damper actuator series is designed to operate air dampers in ventilation and air conditioning systems. The compact design and universal adapter fitted with limitation of rotation angle make this JOVENTA actuator highly versatile.

**Features**

- ON/OFF or Floating control signal
- Load-independent running time
- Up to 5 actuators in parallel operation possible
- Plug-in terminal block connection
- Simple direct-mount with universal adapter on 10...20 mm Ø round-axis or 10...16 mm square shaft
- 48 mm minimum damper shaft length
- Selectable direction of rotation
- Limitation of rotation angle
- Manual release button
- 2 adjustable auxiliary switches
- Automatic shut-off at end position (overload switch)
- Actuators available with 1 m cable
- Customized versions available

**Accessories**

- ZK Damper linkage selection
- ZKG Ball joints



Dimensions in mm

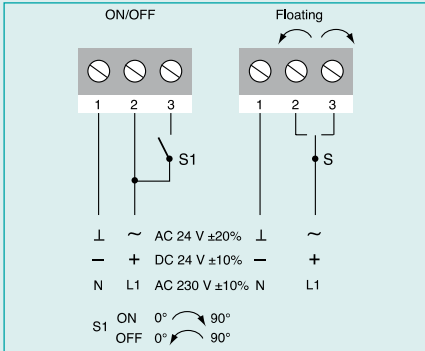
**Ordering Codes**

Codes	Descriptions
SA1.10	AC/DC 24 V
SA1.10S	AC/DC 24 V, with 2 auxiliary switches
SA1.10P1	AC/DC 24 V, with 1000 Ω feedback potentiometer
SA1.10P2	AC/DC 24 V, with 140 Ω feedback potentiometer
SA1.10P4	AC/DC 24 V, with 2000 Ω feedback potentiometer
SA2.10	AC 230 V
SA2.10S	AC 230 V, with 2 auxiliary switches
SA2.10P1	AC 230 V, with 1000 Ω feedback potentiometer
SA2.10P2	AC 230 V, with 140 Ω feedback potentiometer
SA2.10P4	AC 230 V, with 2000 Ω feedback potentiometer

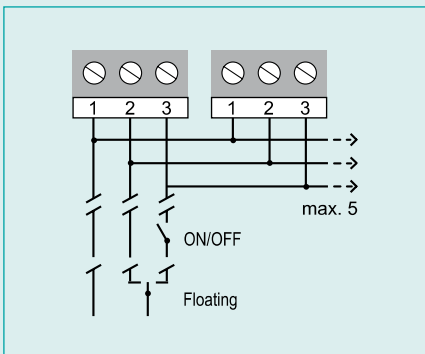
Codes	Descriptions
SA1.12	AC/DC 24 V
SA1.12S	AC/DC 24 V, with 2 auxiliary switches
SA1.12P1	AC/DC 24 V, with 1000 Ω feedback potentiometer
SA1.12P2	AC/DC 24 V, with 140 Ω feedback potentiometer
SA1.12P4	AC/DC 24 V, with 2000 Ω feedback potentiometer
SA2.12	AC 230 V
SA2.12S	AC 230 V, with 2 auxiliary switches
SA2.12P1	AC 230 V, with 1000 Ω feedback potentiometer
SA2.12P2	AC 230 V, with 140 Ω feedback potentiometer
SA2.12P4	AC 230 V, with 2000 Ω feedback potentiometer

**SA1.1xxx / SA2.1xxx**  
ON/OFF and Floating Actuators - Speed Version

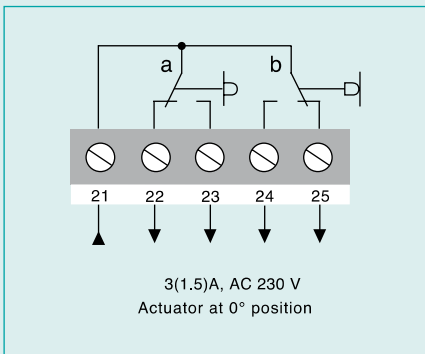
**Wiring Diagrams**



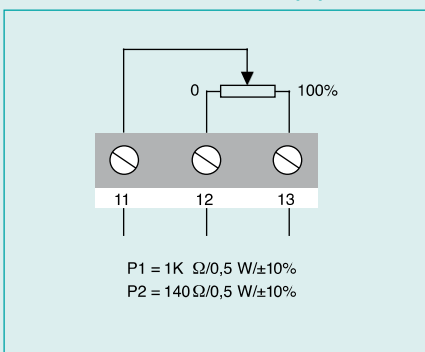
**Parallel Connections**



**Auxiliary Switches (S)**



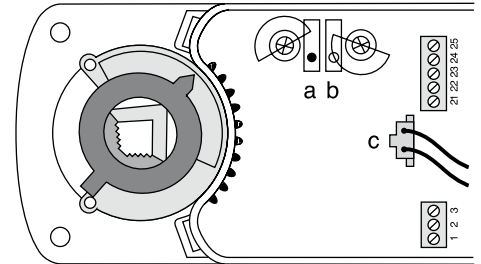
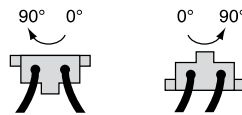
**Potentiometer (P)**



**Changing the direction of rotation**

The direction of rotation can be changed by reversing plug **c**

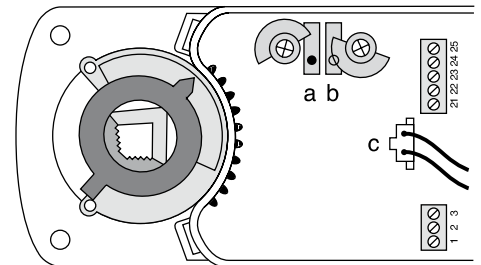
Factory setting:



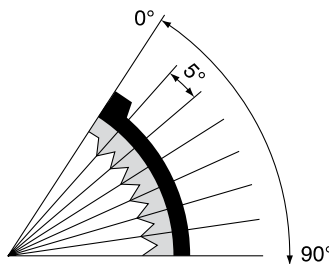
**Setting the auxiliary switches**

Factory setting  
Switch **a** at 10°  
Switch **b** at 80°

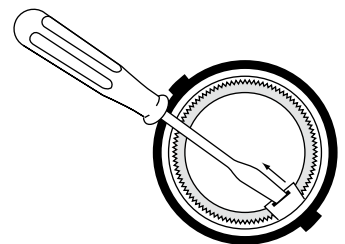
The switching position can be manually changed to any required position by turning the ratchet




**Limitation of rotation angle**



**Adapter release**



**SA1.1xxx / SA2.1xxx**  
**ON/OFF and Floating Actuators - Speed Version**
**Technical Specifications**

Actuator	SA1.10...	SA1.12...	SA2.10...	SA2.12
Torque	16 Nm	8 Nm	16 Nm	8 Nm
Damper area*	3.0 m <sup>2</sup>	1.5 m <sup>2</sup>	3.0 m <sup>2</sup>	1.5 m <sup>2</sup>
Running Time OPEN	16 s	8 s	16 s	8 s
Running Time CLOSE	16 s	8 s	16 s	8 s
Supply Voltage	AC/DC 24 V		AC 230 V	
Frequency	50-60 Hz			
Power Consumption				
- Running	7.0 W		12.0 W	
- At end position	0.7 W		3.7 W	
Dimensioning	13.0 VA / 3.4 A @ 2 ms		13.0 VA / 0.35 A @ 2 ms	
Control Signal	ON/OFF or Floating			
Position Signal	Potentiometer 0.5 W / ±10%			
Angle of rotation / Working range	90° (93°mech.)			
Angle of rotation/Limitation	5°...85° in 5° < steps			
Auxiliary Switches	3(1.5) A, AC 230 V			
- S1 setting range	5°...85° < adjustable			
- S2 setting range				
Cable	1.0 m halogen-free			
- Motor	3-Wire 1-2-3			
- Switches	5-Wire 21-22-23-24-25			
- Potentiometer	3-Wire 11-12-13			
Life time	60.000 rotations			
Noise level	45 dB (A)			
Protection Class	II			
Degree of Protection	IP 54			
Mode of Action	Type 1			
Ambient conditions				
- Operating temperature	-20...+50 °C / IEC 721-3-3			
- Storage temperature	-30...+60°C / IEC 721-3-2			
- Humidity	5...95% r.F. no condensed			
Weight	1.1 Kg		1.2 Kg	
Service	Maintenance-free			
	<b>EMC Directive 2004/108/EC</b> <b>Low Voltage Directive 2006/95/EC</b>			

\*Caution: Please note damper manufacturer's information concerning the open/close torque.